



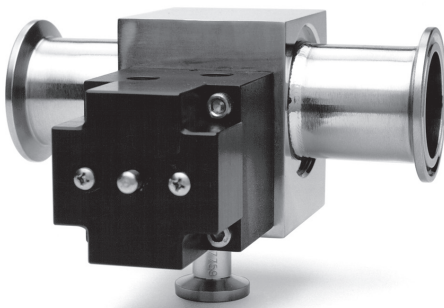
DELCO

Making Your Products Possible

Made in America

Take-Off Valves for Pure Water Systems

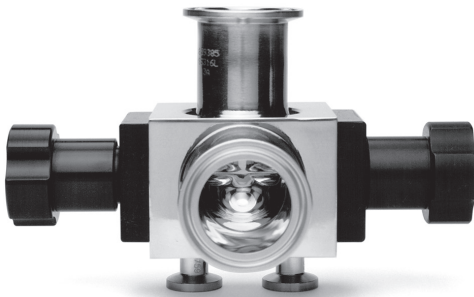
Introducing the Delco multi-ported sanitary diaphragm valve



Delco's MarcWorks Valve offers a full family of multi-ported sanitary diaphragm valve designs for high-purity water systems.

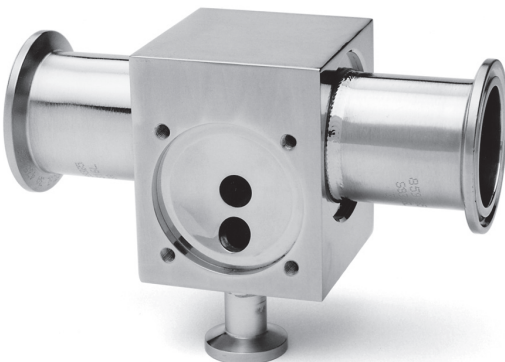
The Delco Valve body is machined from solid barstock, and diaphragm is crafted from solid Teflon® for superior purity and cleanability over weir-style valves.

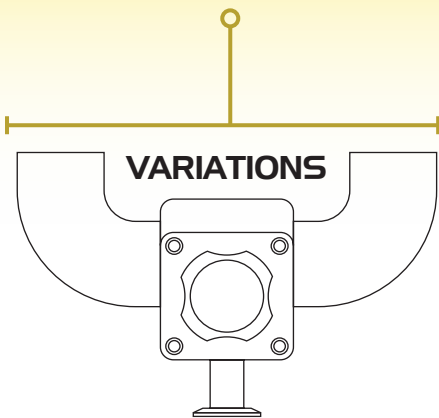
Features of our valves include: drainable, on-off diverting, mixing and fractional collection, and FDA compliant materials.



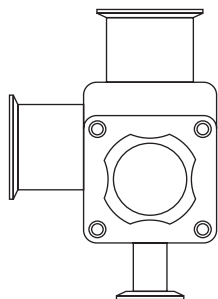
Advantages of Delco's valves

- Machined from solid Teflon for purity and cleanability over weir-style valves
- Inherent dead leg is greatly minimized
- Ultra clean flow path for minimal hold up volume
- Flexible flow paths and point-of-use drops in WFI loops
- Enables product sampling from a process line
- Will not blister or delaminate
- Has a high cycle life under CIP/SIP cleaning
- Diaphragm cold flow improves the valve seal and performance

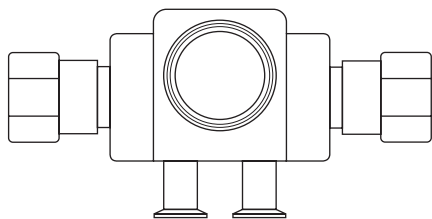




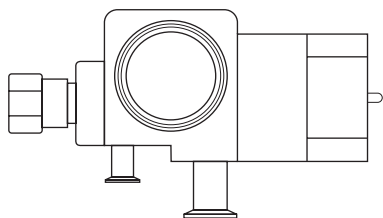
2-way take-off with elbow



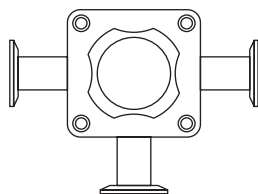
2-way take-off 90°



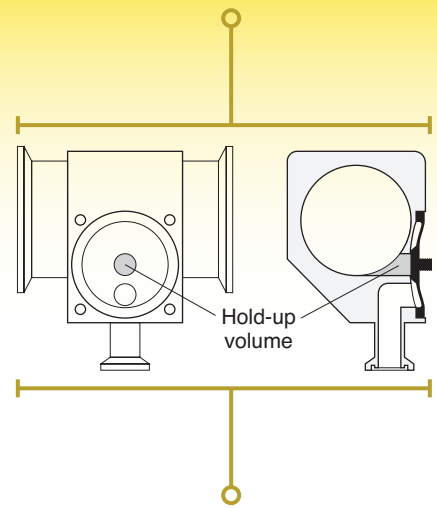
3-way take-off



Take-off with sample valve



2-way tee



The Delco Difference

Total Sterilization

All wetter surfaces are continuously cleaned by vortex fluid action, which constantly sweeps the entire bowl and diaphragm as fluid flows through the valve. Chamber and diaphragm geometry have no areas to entrap contaminants and are ideal for CIP or SIP.

Long-Life

Solid virgin PTFE Teflon outperforms the reconstituted Teflon of weir-style valves for long service and fewer replacements. The machined diaphragm will not blister or delaminate and has a high cycle life under CIP/SIP cleaning.

Leakproof

The diaphragm is held in compression for a positive seal and requires less force than a weir-style valve. Diaphragm cold flow improves the valve seal and performance. Process fluid is isolated for the actuator and environment.

No Holdup Volume

No holdup volume improves product purity, and an instantaneous flow shift eliminates cross contamination.

Customizable

Ability to manufacture with customer specified fittings for seamless integration into existing systems.



DELCO

Making Your Products Possible

3300 Massillon Road, Akron, Ohio 44312

p: 330 896-4220 · f: 330 896-1608

www.delcollc.com